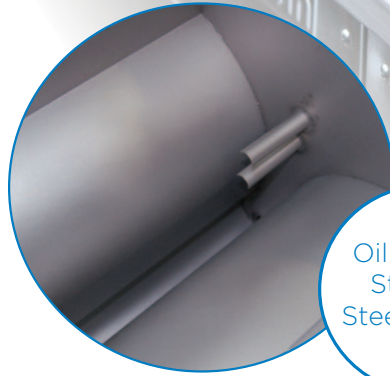


# 800 SERIES FRYERS

## VFG Models - Gas

- “V” pan fryer combines high energy efficiency, quick response and recovery and cooking flexibility.
- +/- 2°C precision thermostat for optimum control.
- Rapid heating response and continuous pilot ignition.
- Stainless Steel pan for easy cleaning
- Cover/joiner strips available for multi-unit installations.
- Large cool zone for long oil life.
- Only 20 litre pan capacity giving massive oil savings.
- 12 months parts & labour warranty.
- 10 year parts availability guarantee.
- Manufactured in Australia.



Oil efficient  
Stainless  
Steel “V” pan

### OTHER OPTIONS FOR VFG MODELS:

- Line-up nosing  
(adds 60mm to depth)
- Night Lid
- Cover/joiner strips

## MODELS:

### VFG-1(L)

2 baskets  
(Line-up nosing)



### VFG-24(L)

3 baskets  
(Line-up nosing)



### VFGT(L)

2 baskets, split pan  
(Line-up nosing)



AUSTRALIA'S PREMIER FOOD SERVICE EQUIPMENT MANUFACTURER

QUALITY

INNOVATION

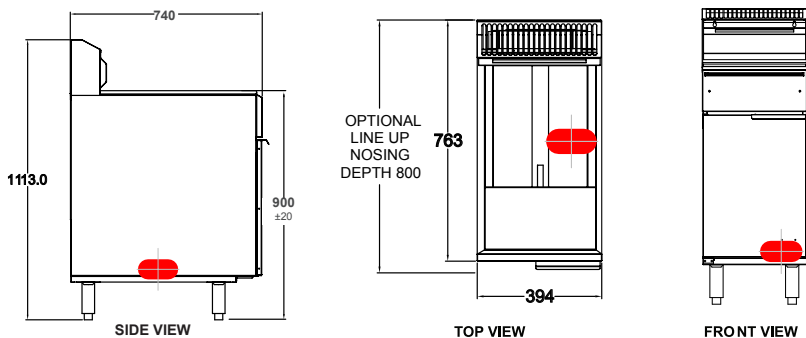
SUSTAINABILITY

CREATIVITY

1800 013 123

goldsteineswood.com.au

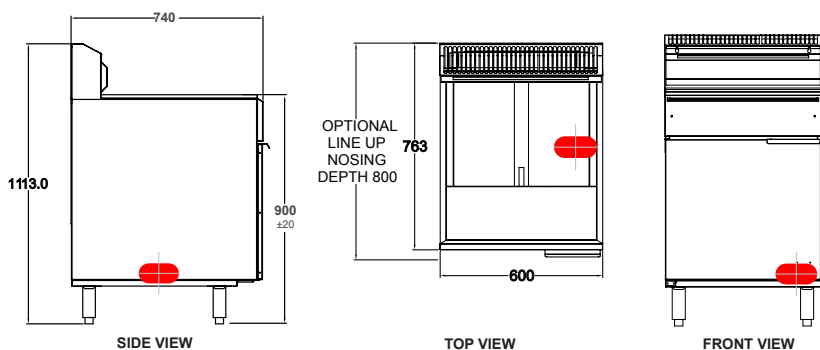
### VFG-1(L) 2 baskets (Line-up Nosing optional)



Specifications:	
Dimensions (WxDxH):	395 x 740* x 1120 mm
Working Height:	900 mm (± 20mm)
Pan Size (WxDxH):	353 x 353 x 300 mm
Weight:	80 kg
Packed:	0.3 m <sup>3</sup>
Gas Connection:	19 mm
Rating:	100 Mj
Capacity:	20 L

GAS INLET 3/4" BSP

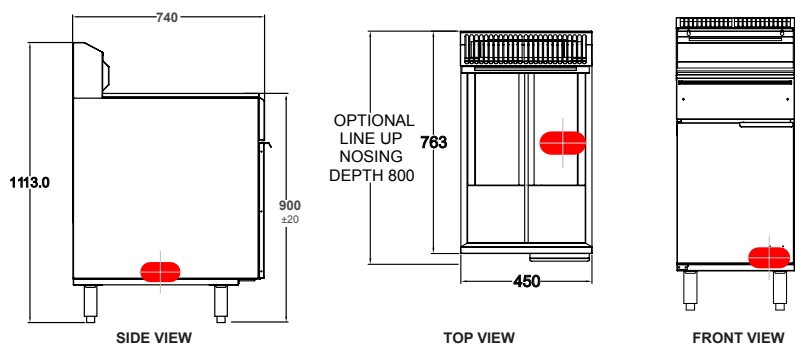
### VFG-24(L) 3 baskets (Line-up Nosing optional)



Specifications:	
Dimensions (WxDxH):	600 x 740* x 1120 mm
Working Height:	900 mm (± 20mm)
Pan Size (WxDxH):	568 x 353 x 300 mm
Weight:	80 kg
Packed:	0.5 m <sup>3</sup>
Gas Connection:	19 mm
Rating:	120 Mj
Capacity:	36 L

GAS INLET 3/4" BSP

### VFG-T(L) 2 baskets, split pan (Line-up Nosing optional)



Specifications:	
Dimensions (WxDxH):	450 x 740* x 1120 mm
Working Height:	900 mm (± 20mm)
Pan Size (WxDxH):	176 x 353 x 300 mm
Weight:	80 kg
Packed:	0.4 m <sup>3</sup>
Gas Connection:	19 mm
Rating:	120 Mj
Capacity:	16 L

GAS INLET 3/4" BSP



Goldstein Eswood  
211 - 217 Woodpark Road SMITHFIELD NSW 2164  
Telephone: 1800 013 123 Fax: (02) 9604 5420  
Email: sales@goldsteineswood.com.au  
service@goldsteineswood.com.au

Proudly Distributed By



Brochure ID: C3 - 05/14

- Efficient energy delivery
- Widest range of options
- Australian designed
- Australian made
- 12 months parts & labour warranty
- 10 years parts availability guarantee
- Service and support 365 days a year

[goldsteineswood.com.au](http://goldsteineswood.com.au)