

800 SERIES RANGES

4-6 Burner Ranges - Gas



- High performance, even heat 28mj cooktop burners for peak productivity.
- Constant pilot flame as standard, maximises operating and energy efficiency.
- Heavy duty removable, easy clean cast iron trivets.
- Stainless steel fascia and sides, spill zone and drip trays for ease of cleaning.
- Flexible modular cooktop design enables many combinations of Burners, Griddle and BBQ.
- Static, fan forced or convection oven options in gastronorm compatible sizes: 490 & 690mmW.
- Ovens are fully insulated vitreous enamel for even heat and easy cleaning.
- Heavy duty welded steel body for rigidity and durability.

OTHER OPTIONS FOR 4-6 BURNER RANGES:

- All ovens available in fan forced or fan forced convection format
- All ovens available in electric with gas cooktop
- Flame failure on open burners
- Glass door to oven
- Castors
- Drop-on Griddle
- Drop-on Char Grill

MODELS:

PF-4-20

+ oven & griddle options

PF-4-28

+ oven & griddle options

PF-6-28

+ oven & griddle options



AUSTRALIA'S PREMIER FOOD SERVICE EQUIPMENT MANUFACTURER

QUALITY

INNOVATION

SUSTAINABILITY

CREATIVITY

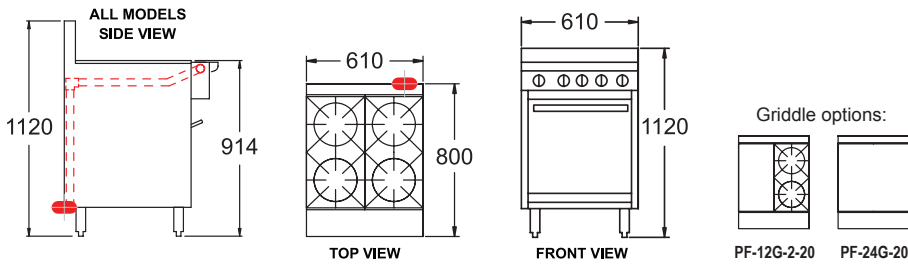
1800 013 123

goldsteineswood.com.au

800 SERIES RANGES

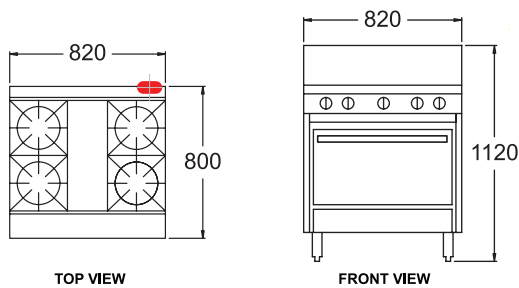
4-6 Burner Ranges - Gas

PF-4-20 + oven & griddle options



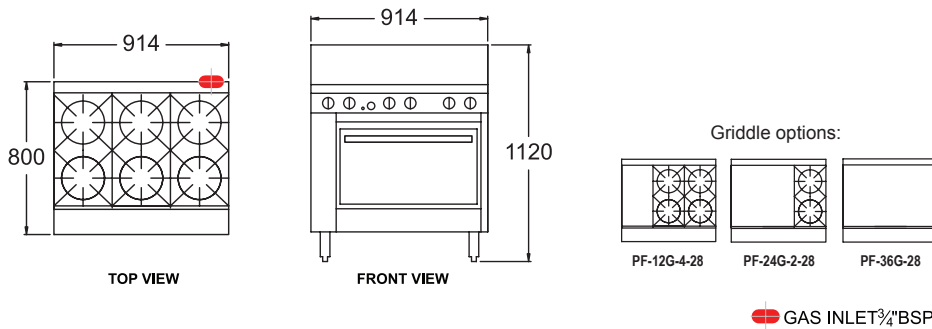
Specifications:	
Dimensions (WxDxH):	610 x 800 x 1120 mm
Working Height:	914 mm
Oven Size (WxDxH):	505 x 560 x 355 mm
Weight:	129 kg
Packed:	0.5 m ³
Gas Connection:	19 mm
Rating:	134 MJ
Burners:	Up to 4 *
* See Griddle options	

PF-4-28 + oven & griddle options



Specifications:	
Dimensions (WxDxH):	820 x 800 x 1120 mm
Working Height:	914 mm
Oven Size (WxDxH):	711 x 560 x 355 mm
Weight:	135 kg
Packed:	0.7 m ³
Gas Connection:	19 mm
Rating:	138 MJ
Burners:	Up to 4 *
* See Griddle options	

PF-6-28 + oven & griddle options



Specifications:	
Dimensions (WxDxH):	914 x 800 x 1120 mm
Working Height:	914 mm
Oven Size (WxDxH):	711 x 560 x 355 mm
Weight:	227 kg
Packed:	0.8 m ³
Gas Connection:	19 mm
Rating:	190 MJ
Burners:	Up to 6 *
* See Griddle options	



Goldstein Eswood
 211 - 217 Woodpark Road SMITHFIELD NSW 2164
 Telephone: 1800 013 123 Fax: (02) 9604 5420
 Email: sales@goldsteineswood.com.au
 service@goldsteineswood.com.au

Proudly Distributed By

- Efficient energy delivery
- Widest range of options
- Australian designed
- Australian made
- 12 months parts & labour warranty
- 10 years parts availability guarantee
- Service and support 365 days a year

goldsteineswood.com.au

Goldstein Eswood continually strive to improve all of our products, therefore specifications may be amended from those printed in this brochure without notice.

