

800 SERIES FRYERS

TGF Models - Gas

- Turbo gas tube type fryer provides a quick recovery along with the benefit of energy efficiency.
- Large cool zone for long oil life.
- Stainless Steel pan for easy cleaning.
- Stainless Steel baskets.
- All models available with & without line-up nosing.
- 2 basket and 3 basket models available.
- Cover/joiner strips available for multiple unit installations.
- 12 months parts & labour warranty.
- 10 year parts availability guarantee.
- Manufactured in Australia.



OTHER OPTIONS FOR TGF MODELS:

- Line-up nosing (adds 38mm to depth)
- Night Lid
- Cover/joiner strips

MODELS:

TGF-1M/400(L)

2 baskets
(Line-up nosing)



TGF-24M(L)

3 baskets
(Line-up nosing)



TGT-18(L)

2 baskets, split pan
(Line-up nosing)



AUSTRALIA'S PREMIER FOOD SERVICE EQUIPMENT MANUFACTURER

QUALITY

INNOVATION

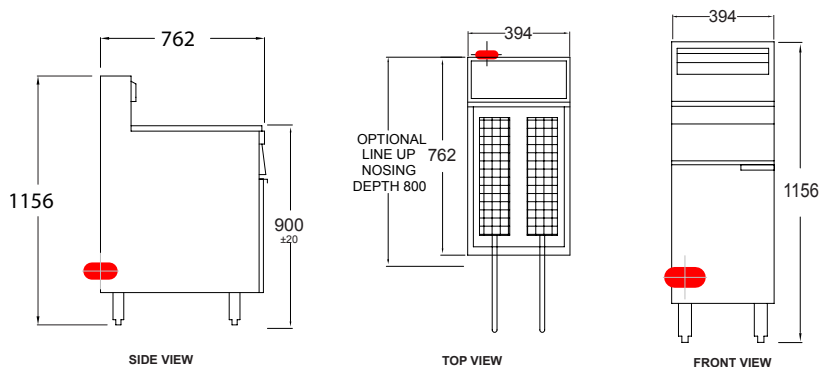
SUSTAINABILITY

CREATIVITY

1800 013 123

goldsteineswood.com.au

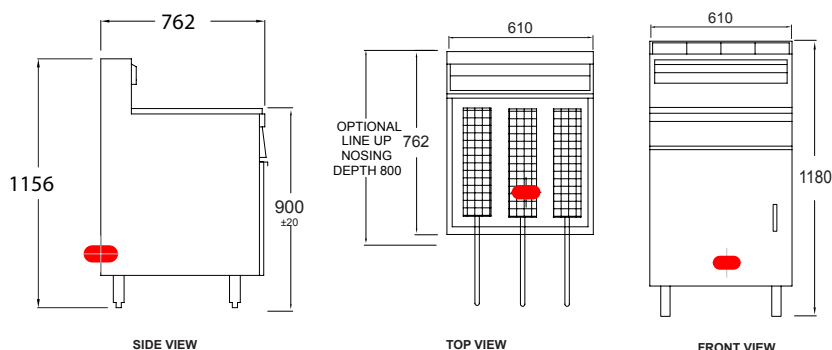
TGF-1M/400(L) 2 baskets (Line-up Nosing optional)



Specifications:	
Dimensions (WxDxH):	394 x 762* x 1156 mm
Working Height:	900 mm (± 20mm)
Pan Size (WxDxH):	353 x 353 x 300 mm
Weight:	80 kg
Packed:	0.3 m ³
Gas Connection:	19 mm
Rating:	110 Mj
Capacity:	28 L
*800mm for line-up model	

GAS INLET 3/4" BSP

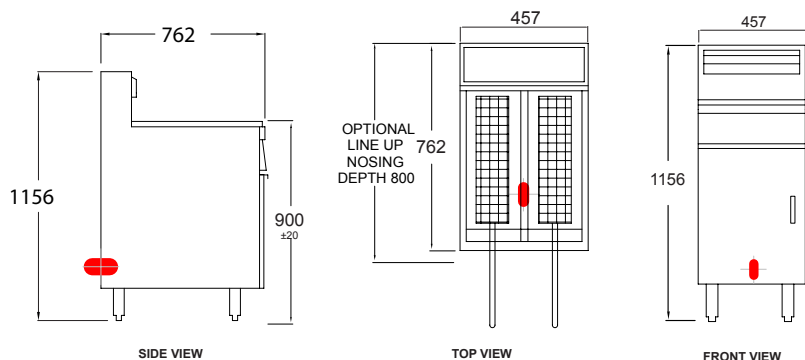
TGF-24(L) 3 baskets (Line-up Nosing optional)



Specifications:	
Dimensions (WxDxH):	610 x 762* x 1180 mm
Working Height:	900 mm (± 20mm)
Pan Size (WxDxH):	565 x 355 x 203 mm
Weight:	70 kg
Packed:	0.5 m ³
Electric Connection:	19 mm
Rating:	140 Mj
Capacity:	48 L
*800mm for line-up model	

GAS INLET 3/4" BSP

TGT-18(L) 2 baskets, split pan (Line-up Nosing optional)



Specifications:	
Dimensions (WxDxH):	457 x 762* x 1156 mm
Working Height:	900 mm (± 20mm)
Pan Size (WxDxH):	353 x 353 x 300 mm
Weight:	80 kg
Packed:	0.4 m ³
Electric Connection:	19 mm
Rating:	72 Mj
Capacity:	30 L (15 L per pan)
*800mm for line-up model	

GAS INLET 3/4" BSP



Proudly Distributed By

Goldstein Eswood
 211 - 217 Woodpark Road SMITHFIELD NSW 2164
 Telephone: 1800 013 123 Fax: (02) 9604 5420
 Email: sales@goldsteineswood.com.au
 service@goldsteineswood.com.au



Brochure ID: C2 - 05/14

- Efficient energy delivery
- Widest range of options
- Australian designed
- Australian made
- 12 months parts & labour warranty
- 10 years parts availability guarantee
- Service and support 365 days a year

goldsteineswood.com.au